



**▲ SAFETY MESSAGE ▲**

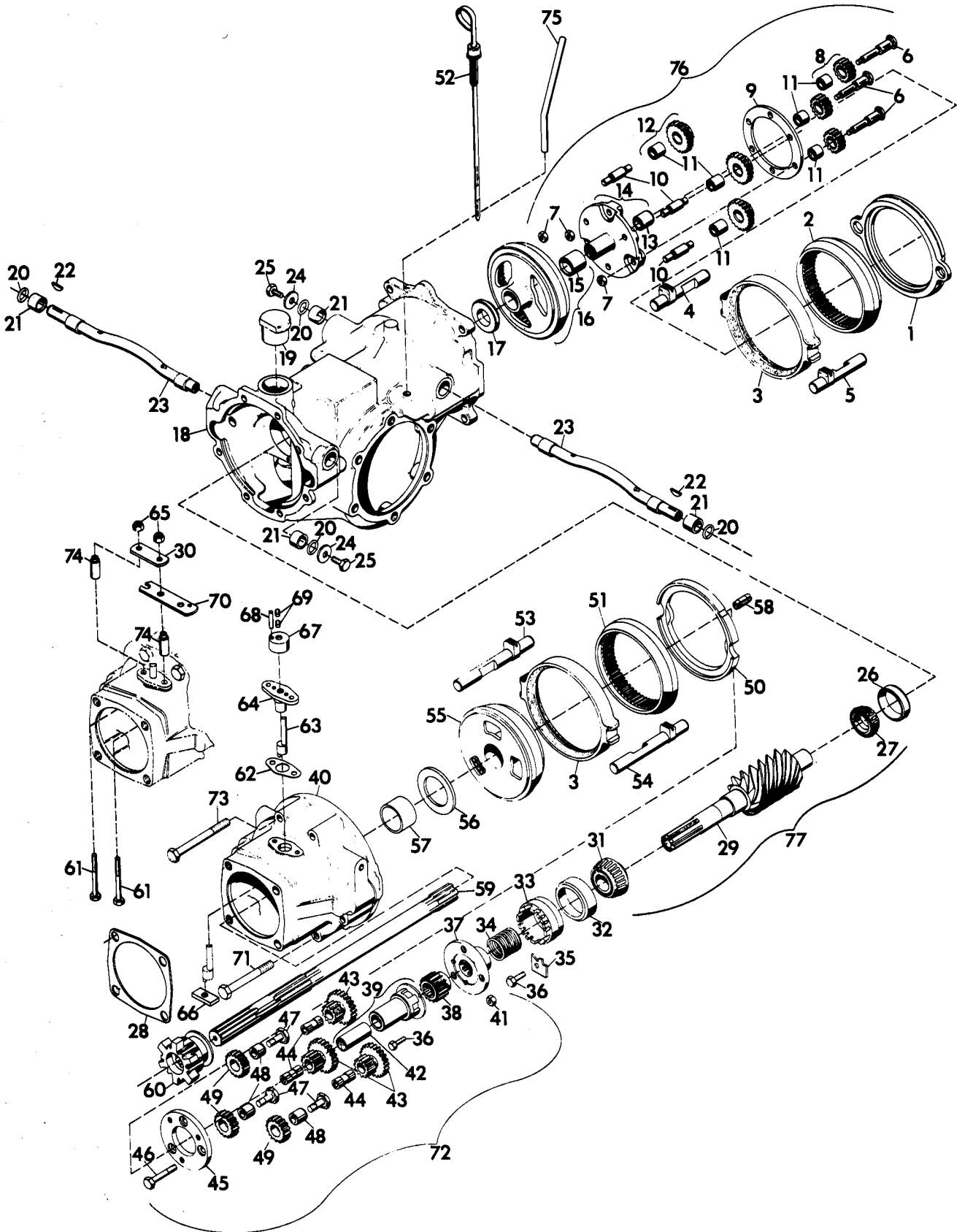
The product for which you have requested information or replacement parts is not a current product. The replacement models incorporate product designs, safety features, safety instructions or warnings which represent the latest "State Of The Art" developments. For your safety and those around you please contact your nearest Ariens/Gravelly Dealer for a demonstration of the current product safety provisions and features.

# PRO MASTER-50 ILLUSTRATED PARTS LIST

## TABLE OF CONTENTS

	<u>Page</u>
Transmission . . . . .	1
PTO . . . . .	4
Differential - 4 Speed . . . . .	5
Differential - 2 Speed . . . . .	7
Main Frame . . . . .	9
Transmission Frame . . . . .	11
Range Control . . . . .	13
Gear Shift Control . . . . .	15
PTO Control . . . . .	17
Direction Control . . . . .	19
Steering Column . . . . .	21
Steering . . . . .	23
Brakes . . . . .	25
Fuel and Exhaust . . . . .	27
Electrical . . . . .	29
Front and Rear Wheels . . . . .	31
Mower . . . . .	32
Mower Frame . . . . .	35

# TRANSMISSION



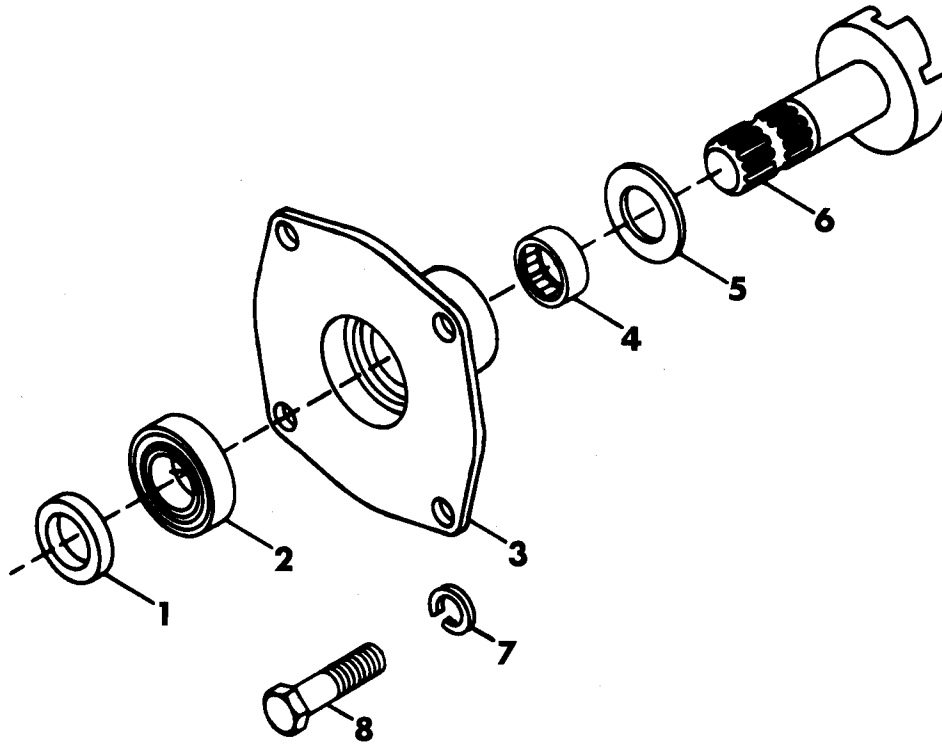
## TRANSMISSION

ITEM NO.	PART NO.	QTY.	DESCRIPTION
1	11183	1	Spacer, Rear
2	11182	1	Gear, Rear Ring
3	12644	2	Assembly, Clutch Cup
4	11184	1	Rod, Rear Clutch Slide L.H.
5	11185	1	Rod, Rear Clutch Slide R.H.
6	11181	3	Bolt, Orbit Gear
7	11342	3	Nut, Lock 5/16-18 L.H. Thd.
8	11179	3	Assembly, External Orbit Gear
9	11178	1	Spacer, Pin
10	11174	3	Pin, Hi-Lo Orbit Gear
11	11177	6	Bushing .501x.627x.495
12	11175	3	Assembly, Internal Orbit Gear
13	11172	1	Bushing, .737x.877x.682
14	11171	1	Assembly, Planet Gear Carrier
15	11169	1	Bushing, 1.231x1.502x1.312
16	11168	1	Assembly, Ring Gear and Bushing
17	12645	1	Plate, Rear Thrust
18	10628	1	Chassis
19	10617	1	Plug, Oil Filler
20	10663	4	O-Ring, .750x1.00
21	10618	4	Bushing, .750x1.002x.625
22	124545	2	Key, Woodruff .125x.625 Hard
23	10625	2	Shaft, Actuating
24	12694	4	Washer, Flat .265x1.250x.063
25	180016	4	Bolt, Hex 1/4-20x.50
26	10390	1	Cup, Roller Bearing
27	10389	1	Cone, Roller Bearing
28	5056	1	Gasket, Attachment
29	21243	1	Weldment, 8-Lead Worm
30	20822	1	Spacer, Strap
31	12332	1	Cone, Roller Bearing
32	12333	1	Cup, Roller Bearing
33	12635	1	Nut, Bearing Adjustment
34	12663	1	Spacer, Spring Pin Plate
35	12648	1	Nut, Adjustment
36	180018	4	Bolt, Hex 1/4-20x.625
37	12633	1	Plate, Front Pin
38	12637	1	Gear, Sun Pinion
39	14923	1	Assembly, Quill and Bushing
40	37821	1	Assembly, Advance Casting
41	120375	3	Nut, Hex 1/4-20
42	12662	1	Bushing, .875x1.000x2
43	12639	3	Gear, Orbit
44	12640	3	Pin, Fwd-Rev Orbit Gear
45	12655	1	Spacer, Front Pin
46	12643	3	Bolt, Spacer
47	12658	3	Bolt, Reverse Idler
48	12657	3	Bushing, Reverse Idler
49	12656	3	Gear, Reverse Idler
50	12636	1	Cup, Gear

# TRANSMISSION

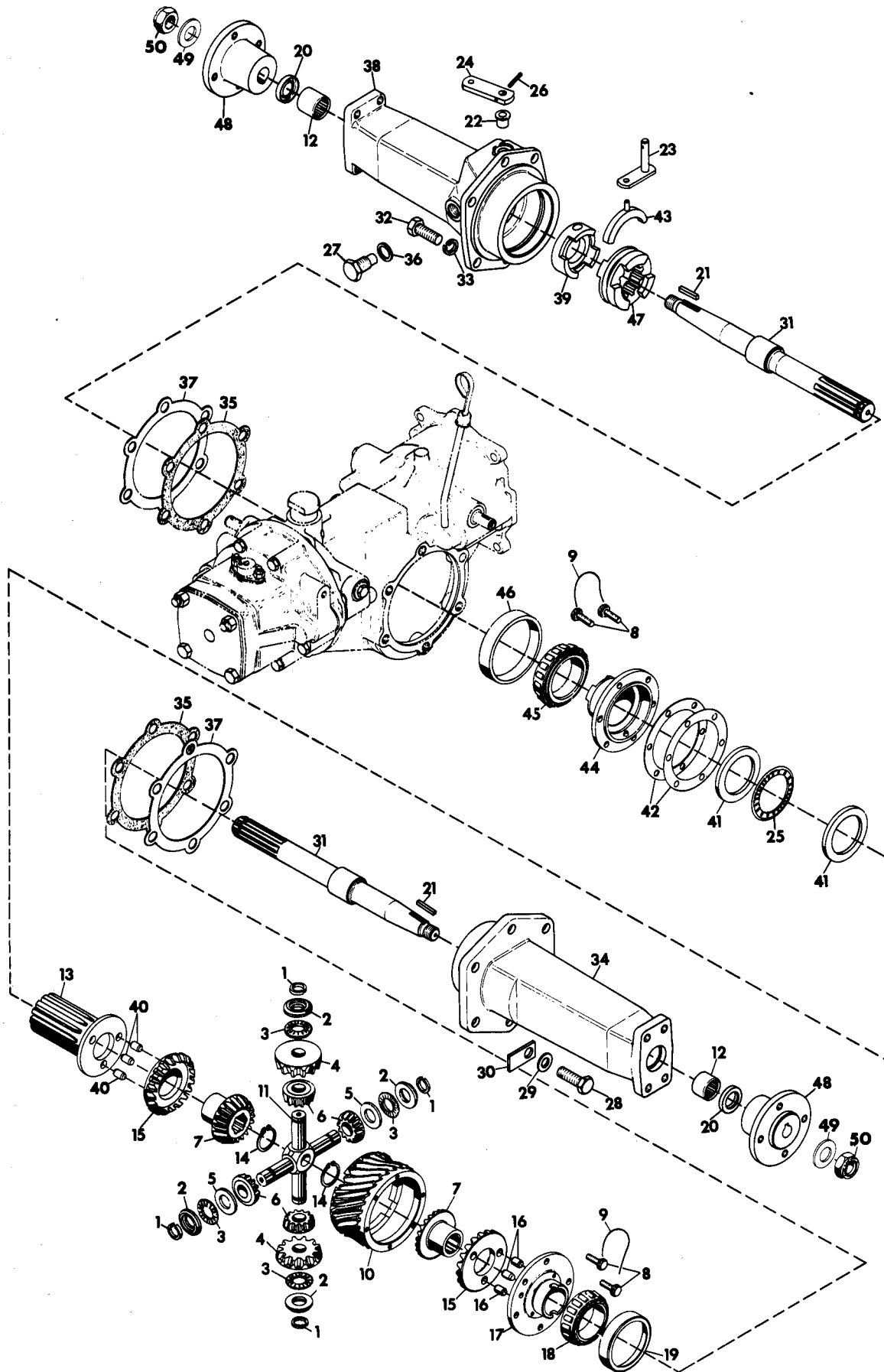
ITEM NO.	PART NO.	QTY.	DESCRIPTION
51	12632	1	Gear, Internal
52	10622	1	Assembly, Dip Stick
53	12677	1	Rod, Clutch Slide L.H.
54	12678	1	Rod, Clutch Slide R.H.
55	12654	1	Cone, Reverse Gear
56	37820	1	Disc, Friction
57	37819	1	Bearing
58	13456	1	Pin, Roll
59	11298	1	Shaft, Pinion
60	12660	1	Dog, Attachment
61	180089	2	Bolt, Hex 5/16-18x2.25
62	18318	1	Gasket, Shipper Shaft
63	10686	1	Shaft, Shipper
64	10687	1	Guide, Shipper Shaft
65	419455	2	Nut, Lock 5/16-18
66	12601	1	Block Trunnion
67	10688	1	Body, Shipper Shaft
68	456390	1	Pin, Spring .25x.75
69	102591	2	Screw, Set 3/8-16x.25
70	12122	1	Arm, Shifter
71	37817	2	Bolt, Hex 5/16-18x3.50 Gr. 8
72	14922	1	Assembly, Fwd-Rev Planetary
73	37818	4	Bolt, Hex 5/16-18x3.25 Gr. 8
74	12123	2	Spacer, Shipper Shaft Guide
75	10586	1	Guide, Dipstick
76	14615	1	Assembly, Hi-Lo Planetary
77	23046	1	Assembly, Welded Worm Shaft-8 Lead

PTO



ITEM NO.	PART NO.	QTY.	DESCRIPTION
1	11841	1	Ring, Retaining
2	32050	1	Bearing, Ball 1.000x2.000x.562
3	14612	1	Plate, Cover Advance Casting
4	11227	1	Bearing, Needle 1.000x1.250x2.000
5	11983	1	Bearing, Thrust 1.012x1.750x.125
6	11872	1	Shaft, PTO Dog Clutch
7	120384	4	Washer, Lock 1/2 Reg.
8	180177	4	Bolt, Hex 1/2-13x1.50

# DIFFERENTIAL - 4-SPEED

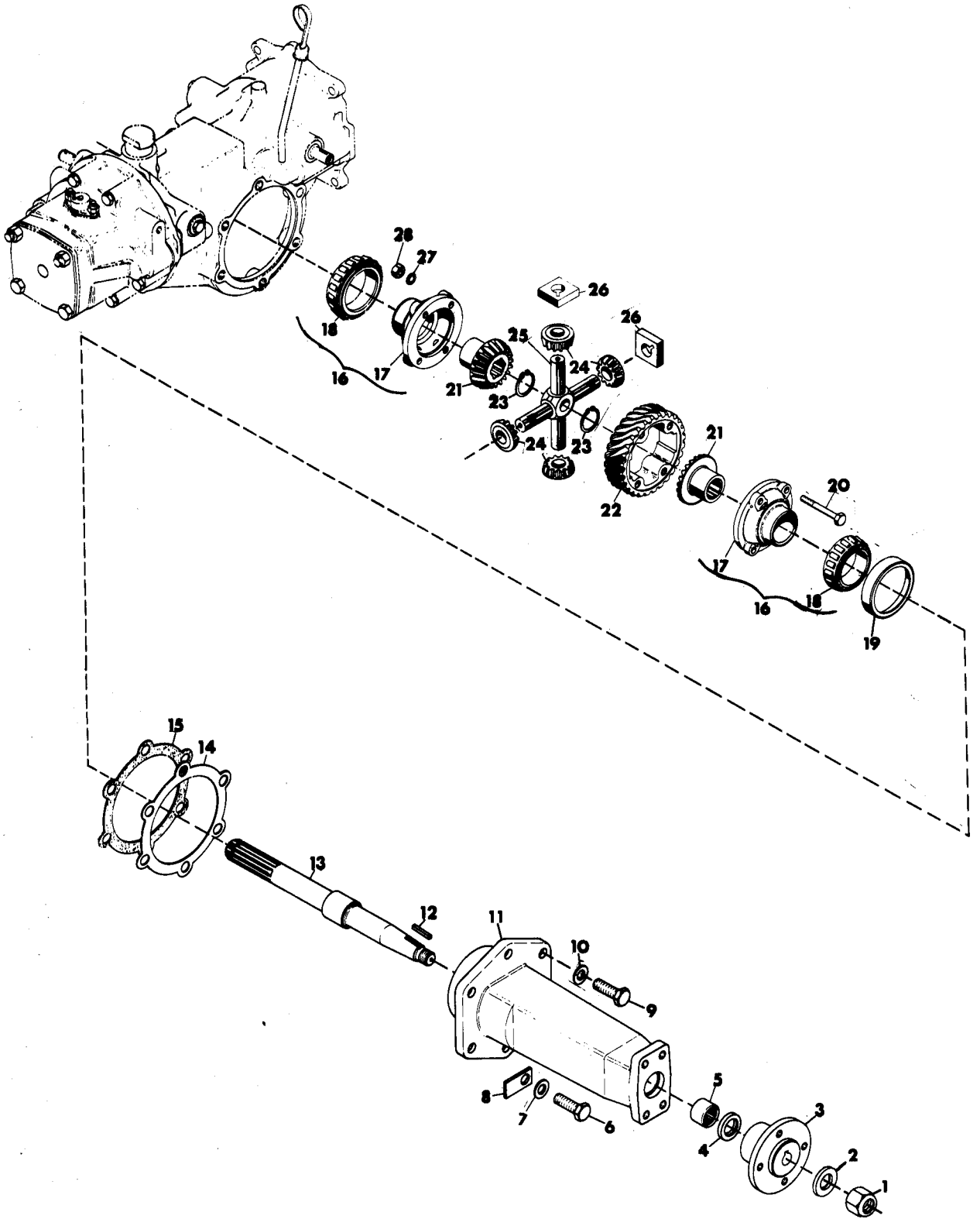


## DIFFERENTIAL - 4-SPEED

ITEM NO.	PART NO.	QTY.	DESCRIPTION
1	15733	4	Ring, Retaining
2	15734	4	Spacer, .765x1.245x.200
3	6741	4	Bearing, Needle Thrust
4	6702	2	Gear, Differential Bevel
5	6742	2	Race, Bearing Thrust .060
6	6708	4	Gear, Spider Bevel
7	11149	2	Gear, Bevel
8	18604	12	Bolt, Special 5/16-18
9	18605	2	Wire, Bolt
10	15729	1	Gear, Worm 8 Start
11	15732	1	Pin, Spider
12	11164	2	Bearing, Needle 1x1.25x.75
13	22498	1	Shifter, Splined Pinned
14	14642	2	Ring, Retaining 1.000 Shaft
15	6703	2	Gear, Bevel Pinned
16	6714	3	Pin, Dowel .375 x.500
17	12126	1	Housing, Pinned
18	12131	1	Cone, Roller Bearing
19	12130	1	Cup, Roller Bearing
20	11704	2	Seal, Oil 1x1.437x.312
21	12672	2	Key, Hub .187x1.500
22	11160	1	Bushing, Shifter
23	11153	1	Shifter, 2-Speed
24	11161	1	Arm, Shifter
25	6743	1	Bearing, Needle Thrust 2.00x2.74x.08
26	273936	1	Pin, Spring .125x1.000
27	6734	1	Bolt, Stationary Clutch
28	13624	1	Bolt, 1/2-13x1 Nylon Insert
29	120396	1	Washer, Flat .531x1.062x.095
30	12594	1	Washer, Oil Drain
31	34829	2	Axle
32	180173	11	Bolt, Hex 1/2-13x1
33	120384	11	Washer, Lock 1/2
34	34589	1	Housing, Axle
35	12597	3	Gasket, Axle Housing
36	12707	1	Washer
37	12595	1	Shim, Axle Housing .005
38	34588	1	Housing, 2-Speed Axle
39	11156	1	Clutch, Stationary
40	34644	3	Pin, Dowel .375x.375
41	22500	2	Race, Thrust 2.002x2.740x.030
42	6739	3	Shim, .005
43	11152	1	Yoke, Shifting
44	22496	1	Housing, Clutch
45	12501	1	Cone, Roller Bearing
46	12500	1	Cup, Roller Bearing
47	11151	1	Clutch, Shifting
48	34598	2	Hub
49	131016	2	Washer, Flat .656x1.312x.095
50	418692	2	Nut, Lock 5/8-11



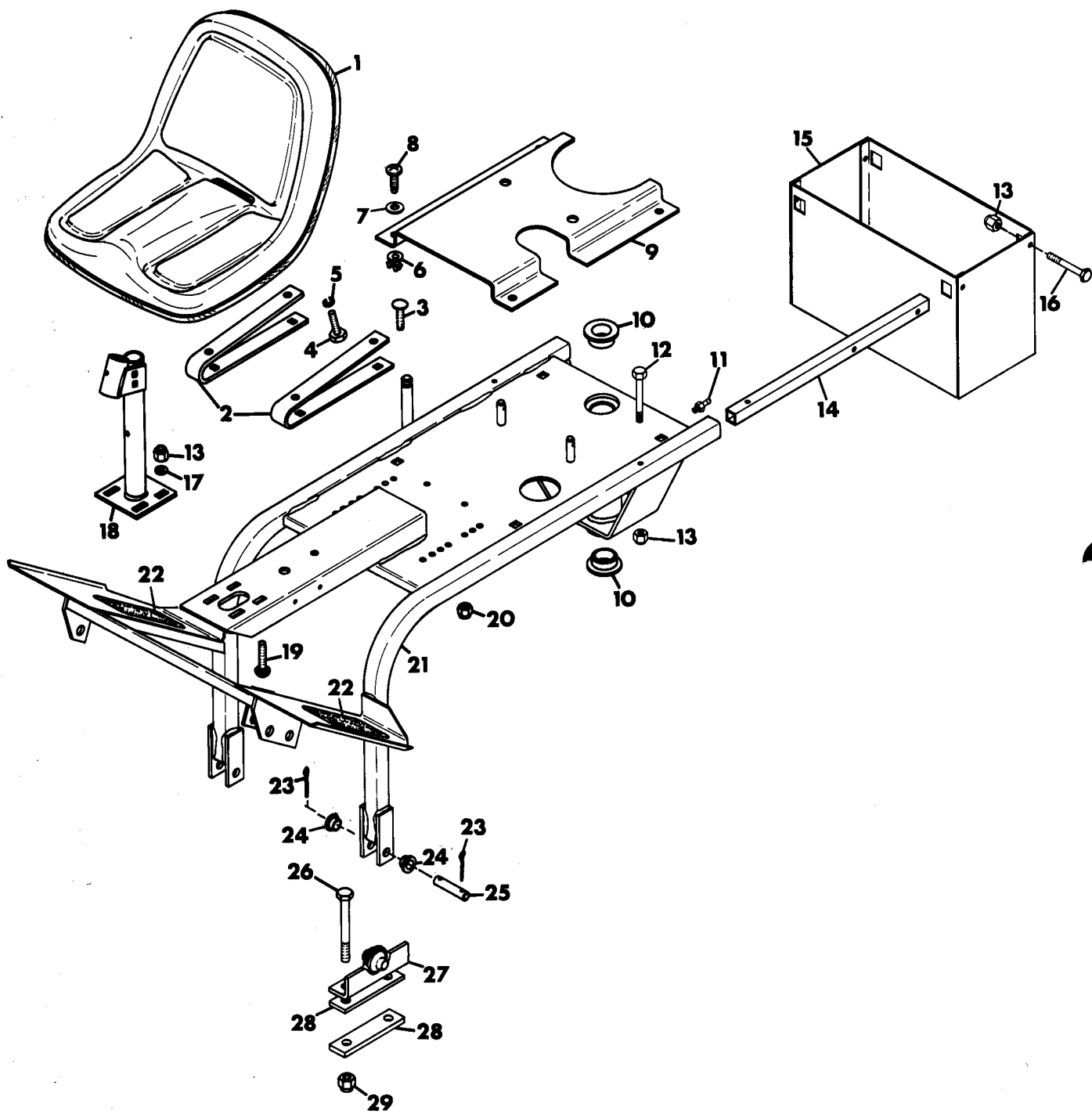
# DIFFERENTIAL - 2-SPEED



## DIFFERENTIAL - 2-SPEED

ITEM NO.	PART NO.	QTY.	DESCRIPTION
1	418692	2	Nut, Lock 5/8-11
2	131016	2	Washer, Flat .656x1.312x.095
3	34598	2	Hub
4	11704	2	Seal, Oil 1x1.437x.312
5	11164	2	Bearing, Needle 1x1.25x.75
6	13624	1	Bolt, 1/2-13x1 Nylon Insert
7	120396	1	Washer, Flat .531.x1.062x.095
8	12594	1	Washer, Oil Drain
9	180173	11	Bolt, Hex 1/2-13x1
10	120384	11	Washer, Lock 1/2
11	34589	1	Housing, Axle
12	12672	2	Key, Hub .187x1.500
13	34829	2	Axle
14	12595	1	Shim, Axle Housing .005
15	12597	3	Gasket, Axle Housing
16	22561	AR	Assembly, Differential Housing
17	22504	1	Housing, Differential
18	12131	1	Cone, Roller Bearing
19	12130	2	Cup, Roller Bearing
20	181623	4	Bolt, Hex 5/16-24x2.75
21	6709	2	Gear, Differential Bevel
22	38587	1	Gear, Worm 8 Start
23	14642	2	Ring, Retaining 1.000 Shaft
24	6708	4	Gear, Spider Bevel
25	38586	1	Pin, Spider
26	22505	4	Block, Drive
27	138538	4	Washer, Lock 5/16
28	120368	4	Nut, Hex 5/16-24

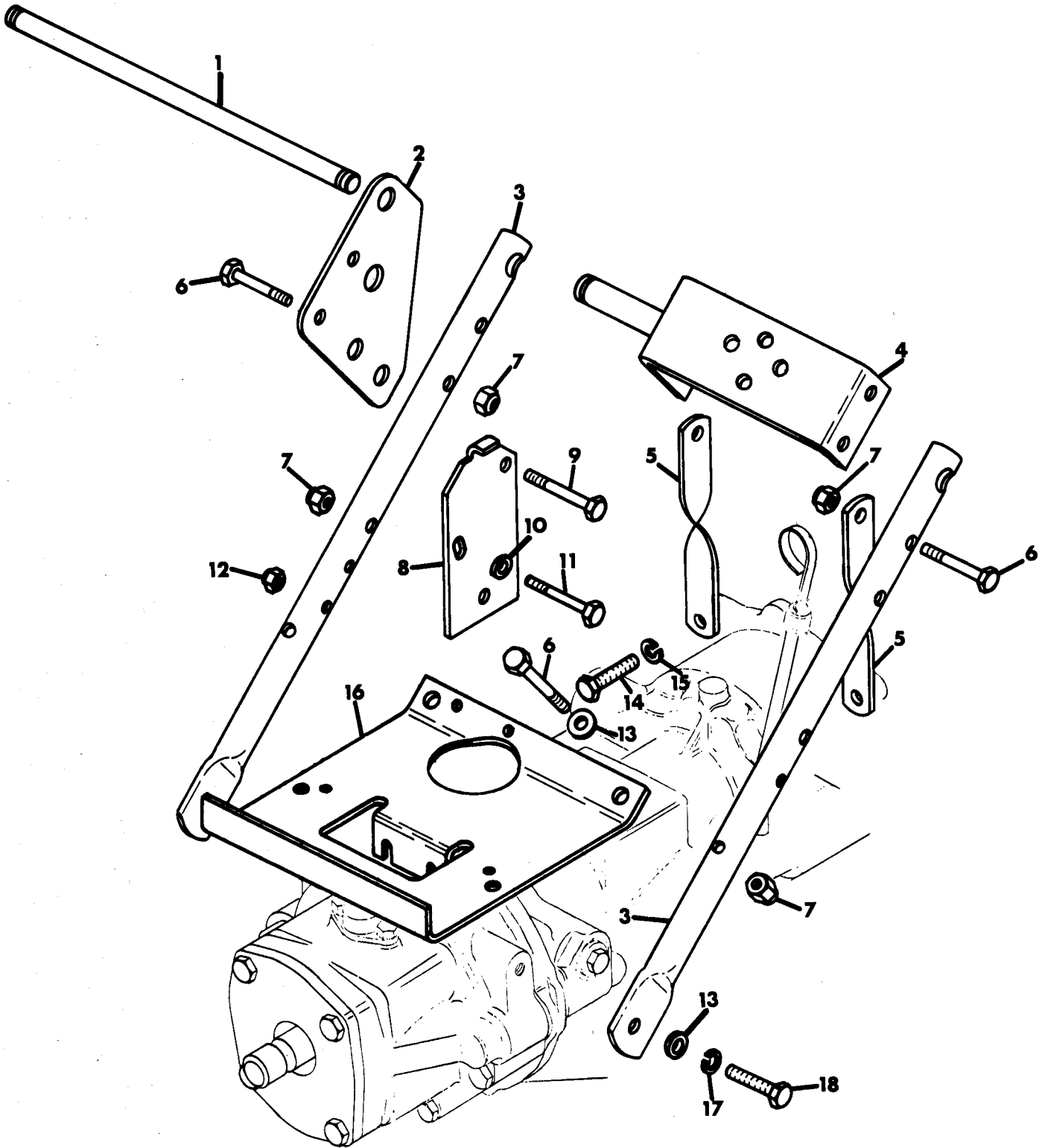
# MAIN FRAME



# MAIN FRAME

ITEM NO.	PART NO.	QTY.	DESCRIPTION
1	21423	1	Seat, High Back
2	38806	2	Spring, Seat
3	126358	4	Bolt, 5/16-18x1.00 Rd Hd Sq Nk
4	180077	4	Bolt, Hex 5/16-18x.75
5	120214	4	Washer, Lock 5/16
6	11777	5	Grommet, Plastic
7	120393	5	Washer, Flat .344x.688x.065
8	167260	5	Screw, Tapping 1/4-20x.625
9	34554	1	Cover, Chain
10	35170	2	Bearing, Flanged
11	411027	1	Fitting, Lube 1/4-28
12	180137	2	Bolt, Hex 3/8-16x2.75
13	456004	9	Nut, Lock 3/8-16
14	38779	2	Tube, Support
15	38782	1	Weldment, Weight Box
16	180132	4	Bolt, Hex 3/8-16x2.25
17	120394	3	Washer, Flat .406x.812x.065
18	34515	1	Tube, Steering
19	120915	3	Bolt, 3/8-16x1.00 Rd Hd Sq Nk
20	419455	4	Nut, Lock 5/16-18
21	38804	1	Frame, O.F.C.
22	11653	2	Cover, Large Footboard
23	137204	4	Pin, Cotter .125x1.500
24	35172	4	Bushing
25	21982	2	Pin, .750x3.3
26	445608	4	Bolt, Hex 1/2-13x5.50
27	34508	2	Bracket, Mount
28	34464	4	Plate, Axle
29	435507	4	Nut, Lock 1/2-13
NS	24588	2	Decal, Gravely Logo
NS	34648	1	Decal, Pro Master-50
NS	38807	1	Decals, OFC
NS	38056	1	Decal, America

# TRANSMISSION FRAME

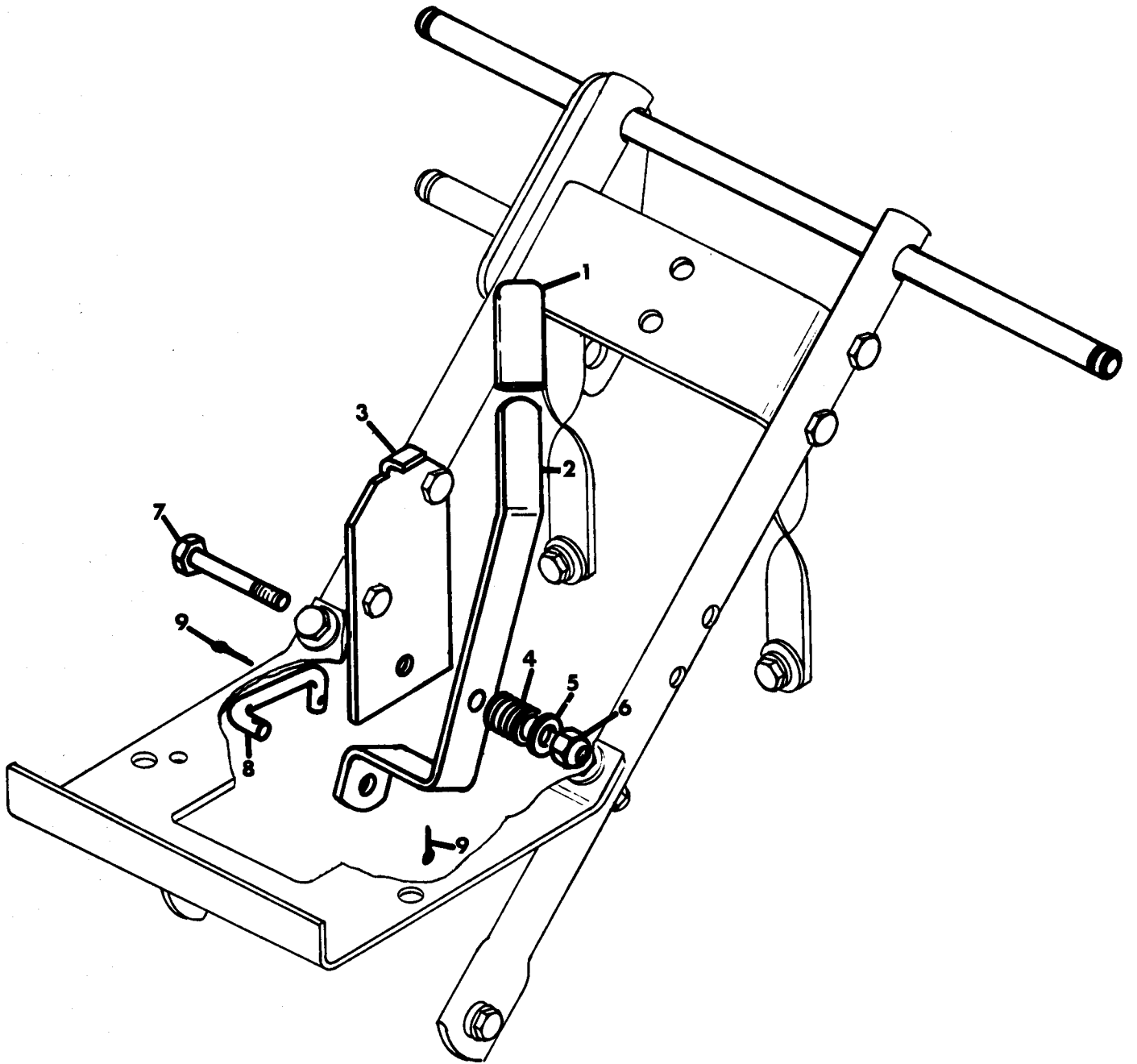


# TRANSMISSION FRAME

ITEM NO.	PART NO.	QTY.	DESCRIPTION
1	34461	1	Shaft Cross
2	34563	1	Bracket, Interlock
3	34564	2	Tube, Support
4	34578	1	Weldment, Brace
5	10655	2	Brace, Handle
6	180132	6	Bolt, Hex 3/8-16x2.25
7	456004	7	Nut, Lock 3/8-16
8	34547	1	Bracket, Hi-Lo
9	180130	1	Bolt, Hex 3/8-16x2.00
10	120392	1	Washer, Flat .281x.625x.065
11	180042	1	Bolt, Hex 1/4-20x1.75
12	419454	1	Nut, Lock 1/4-20
13	120394	4	Washer, Flat .406x.812x.065
14	180149	2	Bolt, Hex 7/16-14x1.50
15	131100	2	Washer, Lock 7/16
16	37704	1	Box, Battery
17	120382	2	Washer, Lock 3/8
18	180125	2	Bolt, Hex 3/8-16x1.38

NOTE: Item Numbers 8, 10, 11, and 12 pertains to four-speed tractors only.

# RANGE CONTROL - 4-SPEED



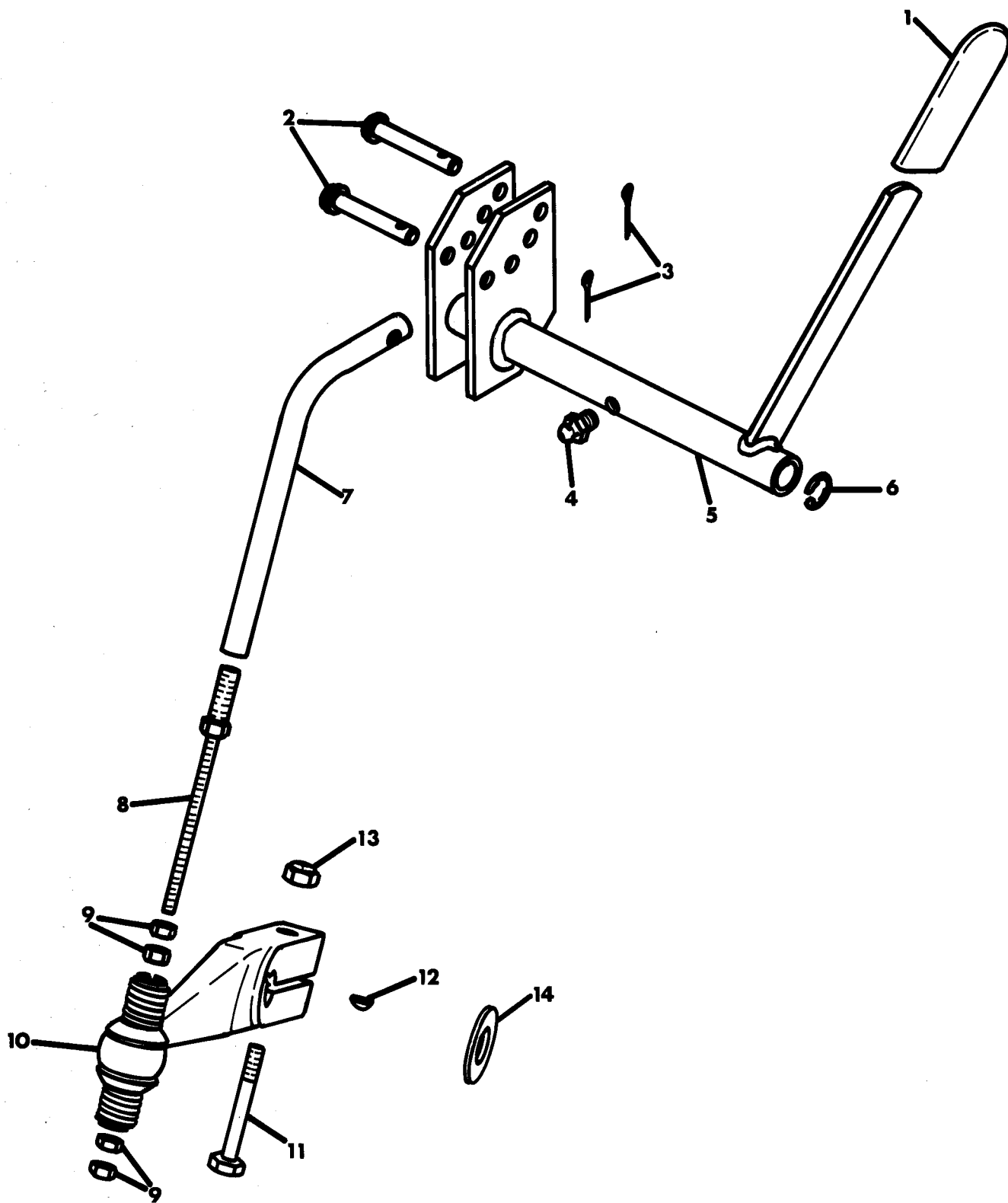
# RANGE CONTROL - 4-SPEED

ITEM NO.	PART NO.	QTY.	DESCRIPTION
1	27158	1	Grip, Handle
2	34513	1	Lever, Hi-Lo
3	34547	1	Bracket, Hi-Lo
4	11779	1	Spring, Comp. 1x.78
5	120394	1	Washer, Flat .406x.812x.065
6	456004	1	Nut, Lock 3/8-16
7	180128	1	Bolt, Hex 3/8-16x1.75
8	34457	1	Rod, Hi-Lo
9	121224	2	Pin, Cotter .09x1.00

NOTE: This page pertains to four-speed tractors only.



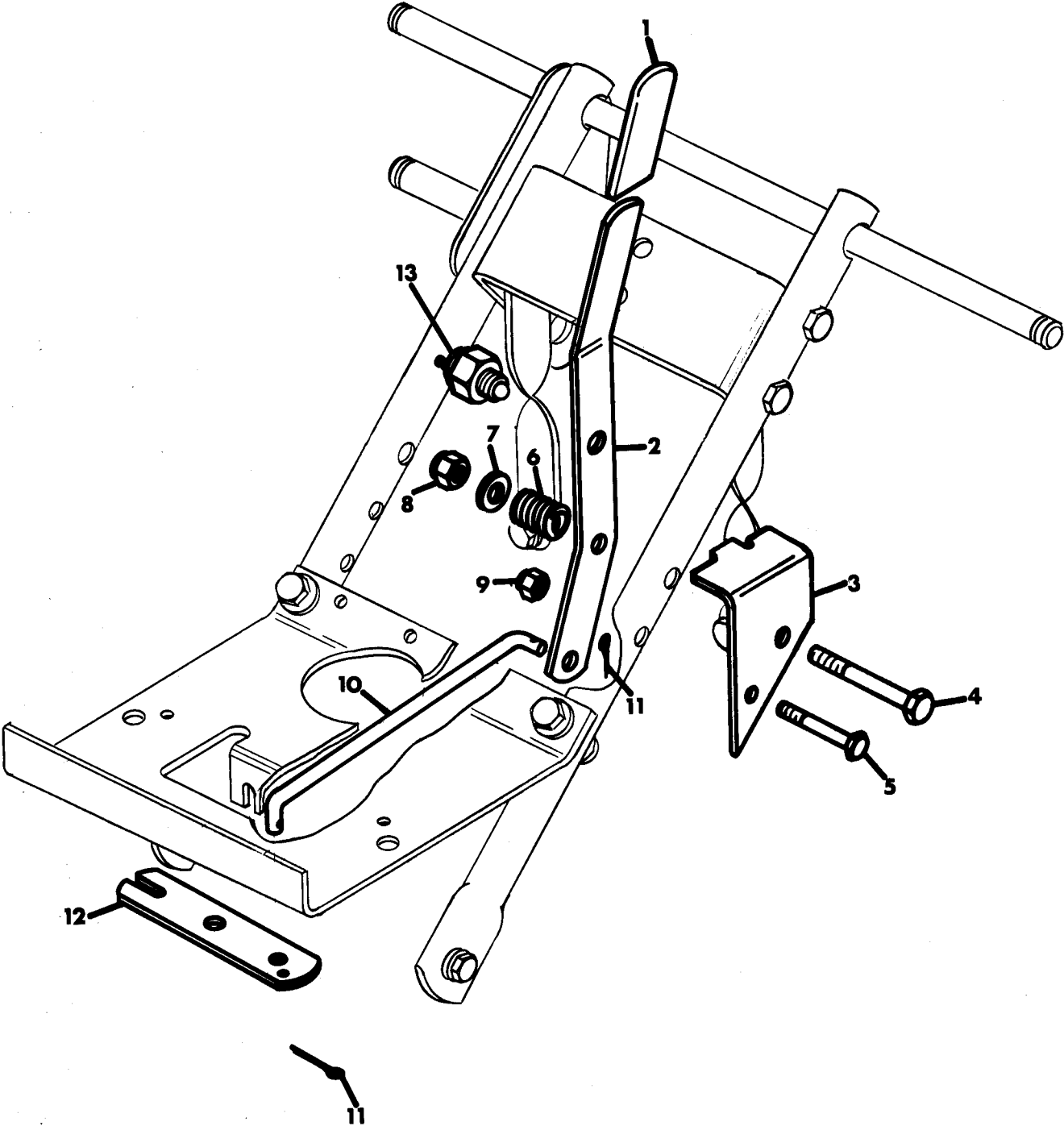
# GEAR SHIFT CONTROL



# GEAR SHIFT CONTROL

ITEM NO.	PART NO.	QTY.	DESCRIPTION
1	27158	1	Grip, Handle
2	10672	2	Pin, Clevis .375x1.250
3	177923	2	Pin, Cotter .125x.750
4	411027	1	Fitting, Lube 1/4-28
5	34522	1	Lever, Hi-Lo
6	11135	1	Ring, Retaining .750 Shaft
7	34521	1	Rod, Hi-Lo Control
8	20269	1	Rod, Control Extension
9	124829	4	Nut, Jam 3/8-16
10	34520	1	Lever, Hi-Lo
11	180087	1	Bolt, Hex 5/16-18x2.00
12	124545	1	Key, Woodruff .125x.625 Hard
13	419455	1	Nut, Lock 5/16-18
14	131017	1	Washer, Flat .812x1.496x.134

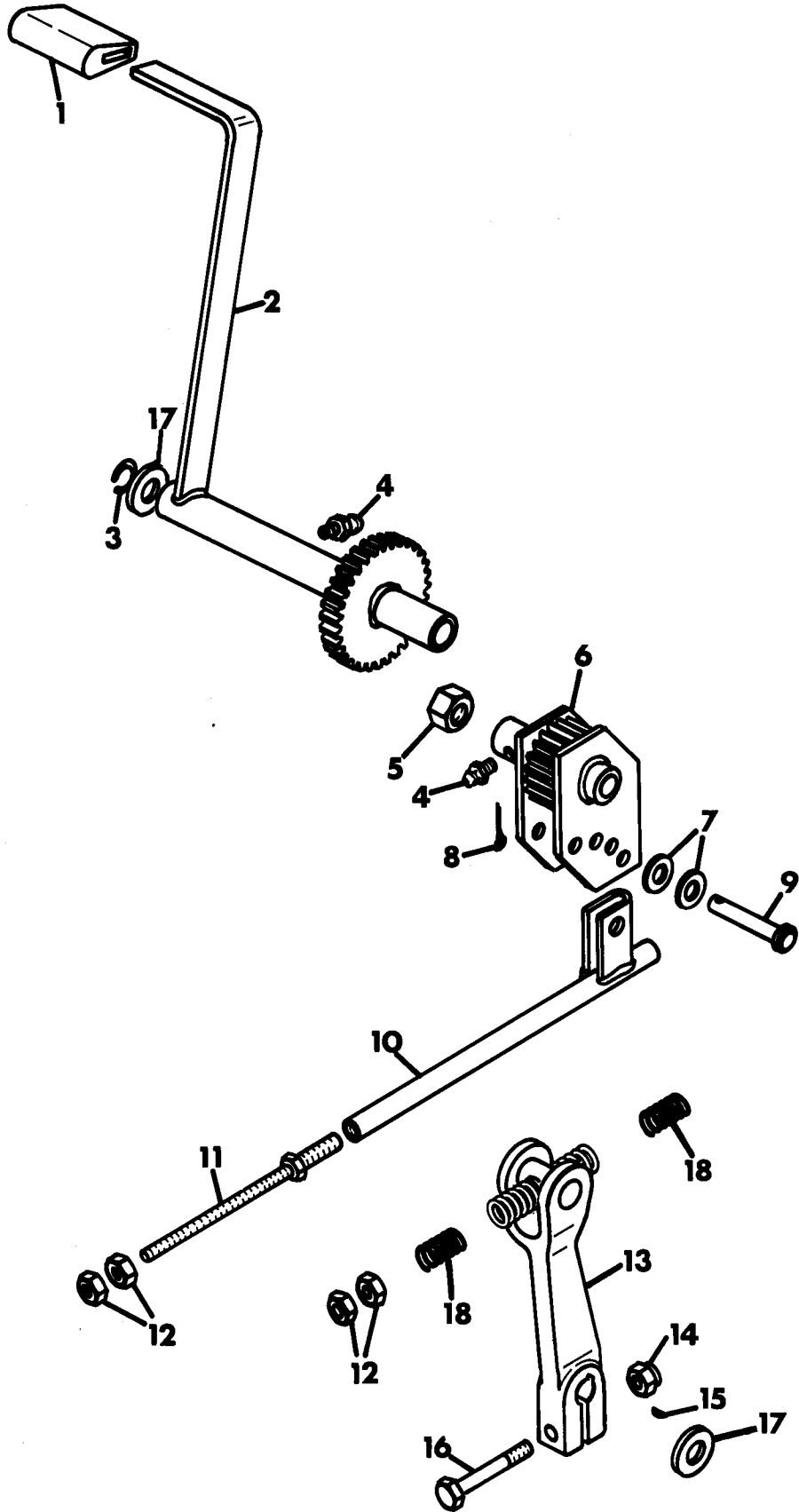
PTO CONTROL



## PTO CONTROL

ITEM NO.	PART NO.	QTY.	DESCRIPTION
1	27158	1	Grip, Handle
2	34512	1	Lever, PTO
3	34575	1	Bracket, PTO
4	189304	1	Bolt, Hex 3/8-16x3.25
5	180044	1	Bolt, Hex 1/4-20x2.00
6	11779	1	Spring, Comp. 1x.78
7	120394	1	Washer, Flat .406x.812x.065
8	456004	1	Nut, Lock 3/8-16
9	419454	1	Nut, Lock 1/4-20
10	34456	1	Rod, PTO
11	121224	2	Pin, Cotter .09x1.00
12	12122	1	Arm, Shifter
13	20916	1	Switch, Interlock

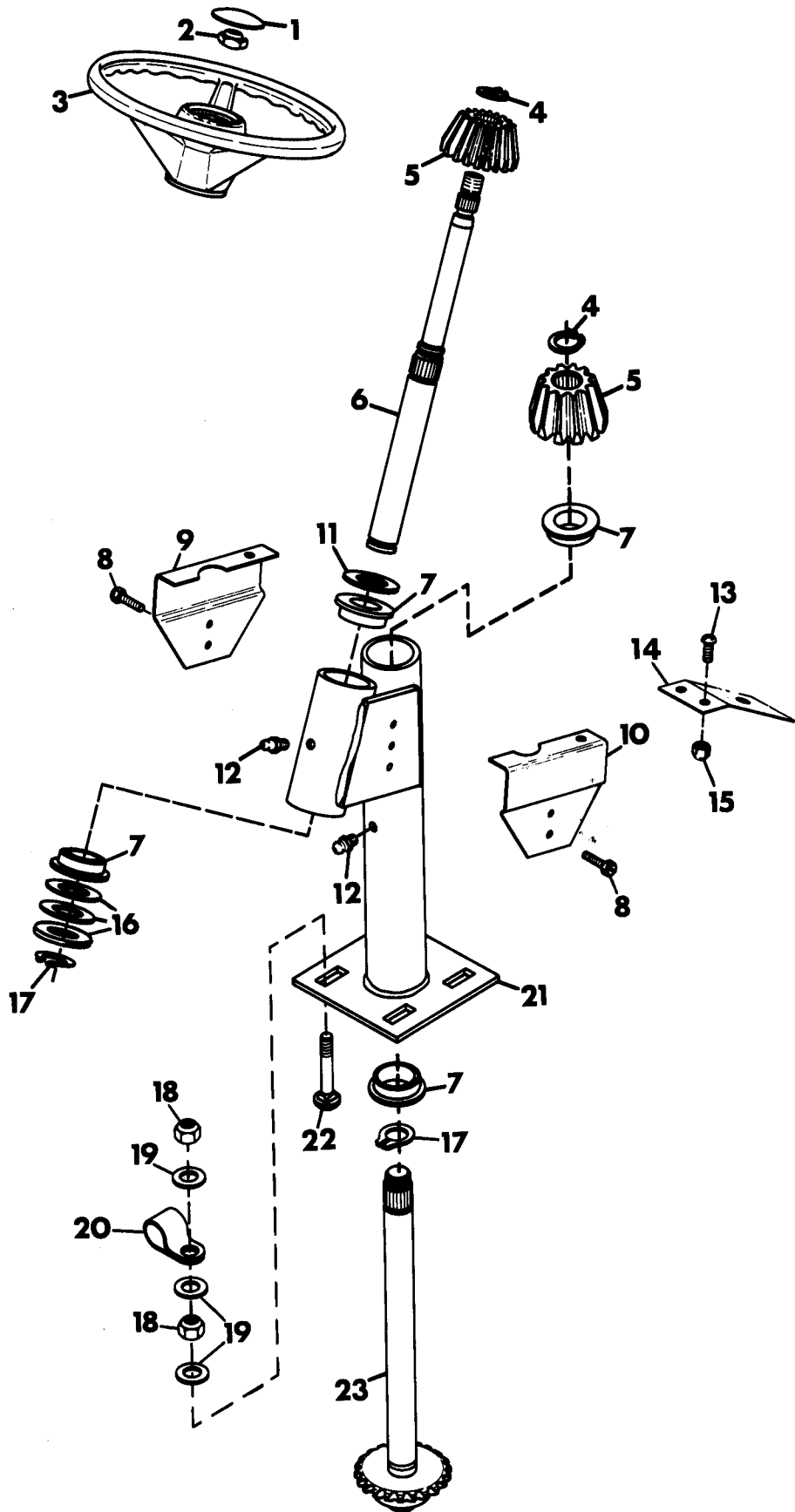
# DIRECTION CONTROL



## DIRECTION CONTROL

ITEM NO.	PART NO.	QTY.	DESCRIPTION
1	32652	1	Grip, Handle
2	34565	1	Lever, Fwd-Rev
3	11135	1	Ring, Retaining .750 Shaft
4	411027	2	Fitting, Lub 1/4-28
5	418692	1	Nut, Lock 5/8-11
6	34581	1	Weldment, Arm Fwd-Rev
7	120394	4	Washer, Flat .406x.812x.065
8	121222	1	Pin, Cotter .09x.75
9	415571	1	Pin, Clevis .375x1.531
10	34585	1	Weldment, Fwd-Rev Rod
11	20269	1	Rod, Control Extension
12	124829	4	Nut, Jam 3/8-16
13	34568	1	Lever, Control
14	419455	1	Nut, Lock 5/16-18
15	124545	1	Key, Woodruff .125x.625 Hard
16	180087	1	Bolt, Hex 5/16-18x2.00
17	131017	2	Washer, Flat .812x1.496x.134
18	38809	2	Spring

# STEERING COLUMN

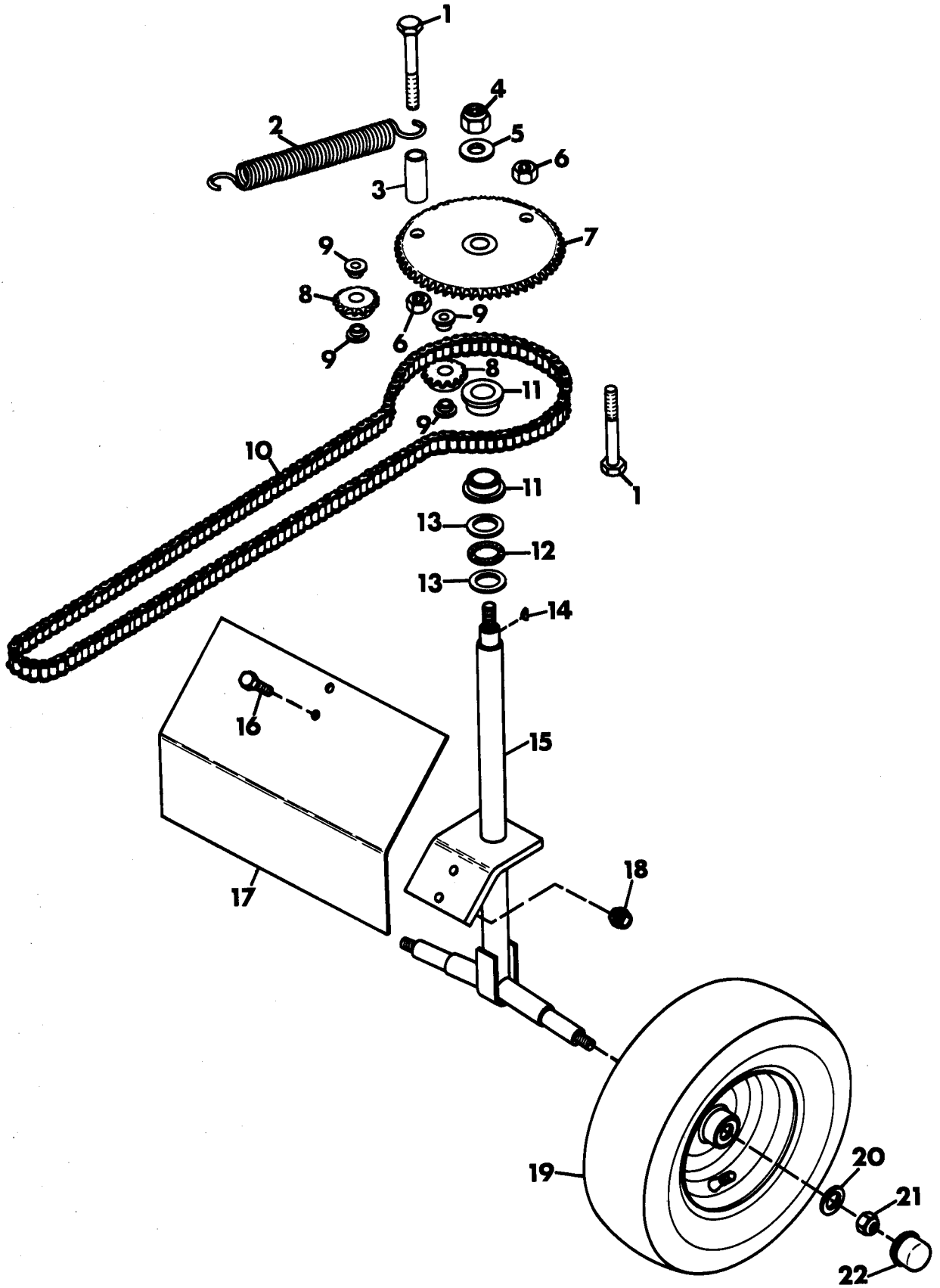


## STEERING COLUMN

ITEM NO.	PART NO.	QTY.	DESCRIPTION
1	31426	1	Cap, Steering Wheel
2	124847	1	Nut, Jam 5/8-11
3	31281	1	Wheel, Steering
4	22080	2	Ring, Retaining
5	22227	2	Pinion, Bevel
6	34573	1	Shaft, Steering Wheel
7	22098	4	Bearing, Flanged
8	448423	4	Screw, Tapping 10-24x.50
9	38811	1	Guard, Steering R.H.
10	38812	1	Guard, Steering L.H.
11	17959	1	Bearing, Thrust Race .030
12	411027	2	Fitting, Lube 1/4-28
13	160536	2	Screw, Machine 1/4-20x.625
14	38810	1	Bracket, Ignition
15	419454	2	Nut, Lock 1/4-20
16	19340	3	Race, Bearing Thrust
17	17980	2	Ring, Retaining
18	456004	2	Nut, Lock 3/8-16
19	120394	3	Washer, Flat .406x.812x.065
20	35313	1	Clamp, Nylon
21	34515	1	Tube, Steering
22	126411	1	Bolt, 3/8-16x1.50 Rd Hd Sq Nk
23	35533	1	Weldment, Steering Shaft



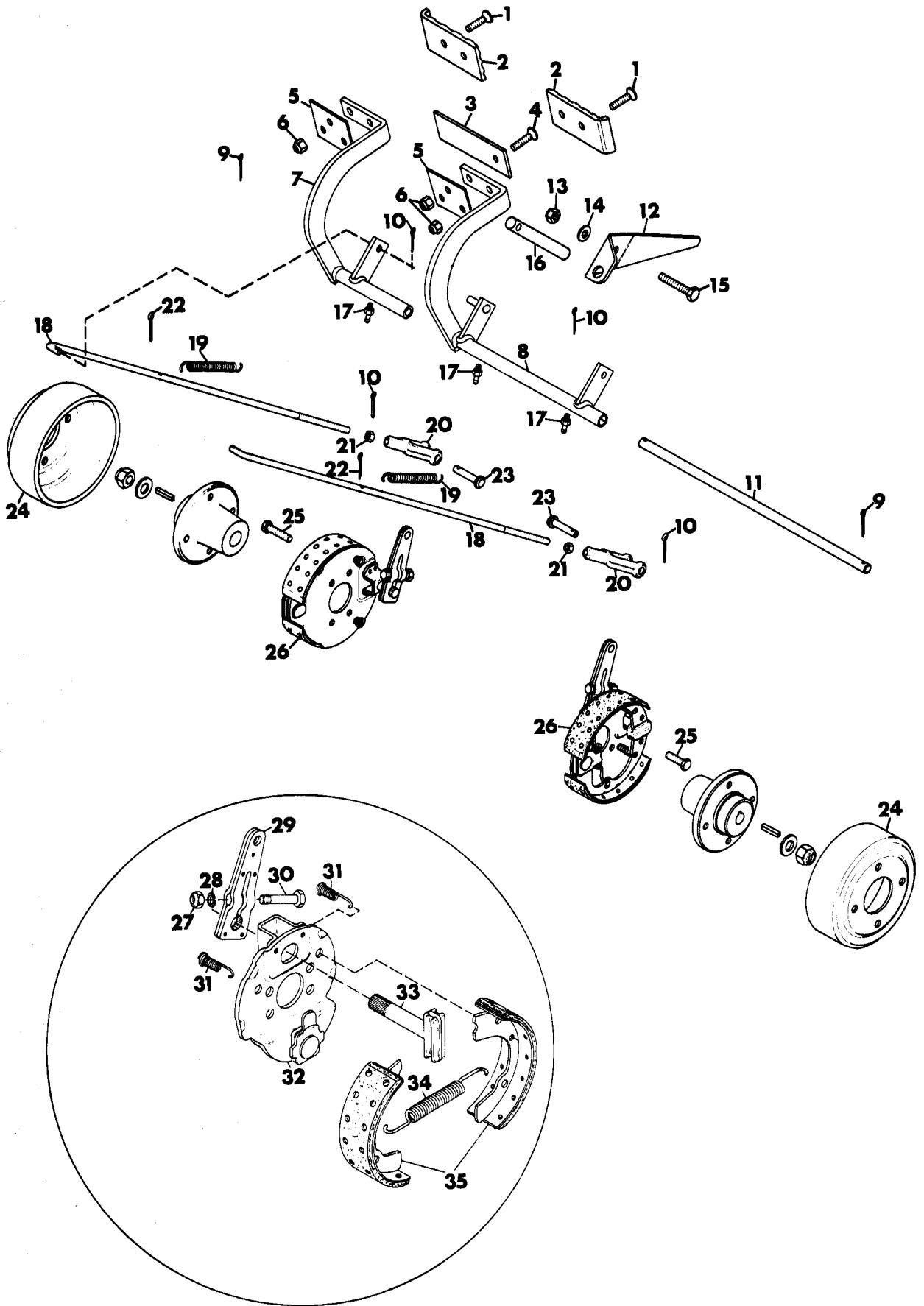
# STEERING



# STEERING

ITEM NO.	PART NO.	QTY.	DESCRIPTION
1	180191	2	Bolt, Hex 1/2-13x3.25
2	31689	1	Spring
3	31367	1	Spacer, .850x.546x2.18
4	273670	1	Nut, Lock 7/8-9
5	131001	1	Washer, Flat .969x2.250x1.65
6	120378	2	Nut, Hex 1/2-13
7	35626	1	Sprocket, 60-T #40
8	34487	2	Sprocket, Drive
9	21504	4	Bushing
10	34489	1	Chain, #40
11	35170	2	Bearing, Flanged
12	35639	1	Bearing, Needle Thrust
13	18954	2	Bearing, Thrust Race
14	124551	1	Key, Woodruff .250x.875 Hard #A
15	38606	1	Weldment, Pro Master Axle
16	180175	2	Bolt, Hex 1/2-13x1.25
17	38114	1	Fender, Pro Master
18	435507	2	Nut, Lock 1/2-13
19	38118	2	Wheel, Pro Master Rear
20	131018	2	Washer, Flat .938x1.750x.134
21	456007	2	Nut, Lock 3/4-10
22	38919	2	Cap

# BRAKES - 4-SPEED

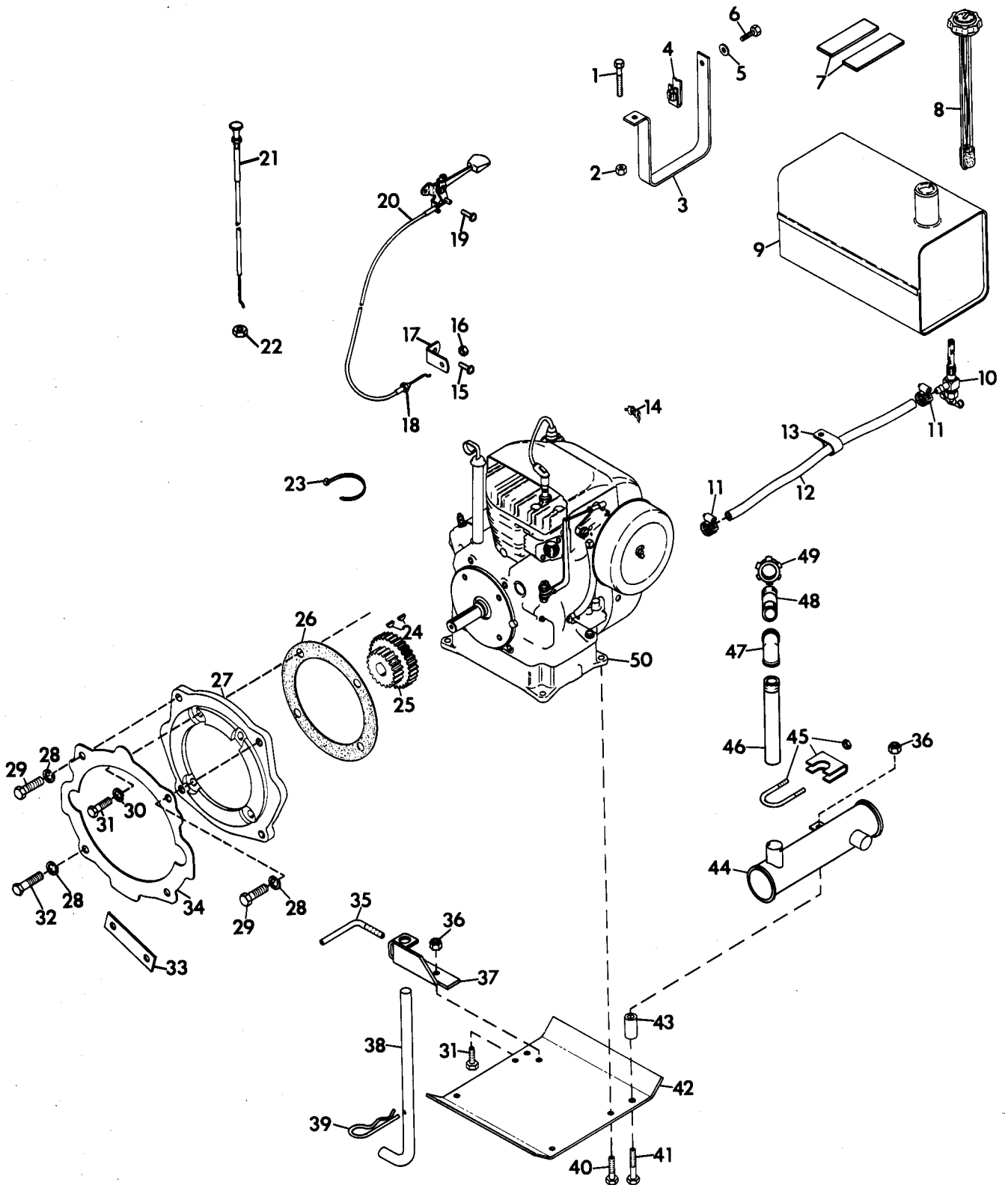


## BRAKES - 4-SPEED

ITEM NO.	PART NO.	QTY.	DESCRIPTION
1	133781	4	Screw, 1/4-20x1.25
2	21747	2	Pedal, Brake
3	36808	1	Arm, Brake Lock
4	120657	1	Screw, Machine 1/4-20x1.00
5	21749	2	Plate, Brake Lock Backing
6	419454	5	Nut, Lock 1/4-20
7	34527	1	Pedal, Brake R.H.
8	34529	1	Pedal, Brake L.H.
9	120123	2	Pin, Cotter .125x1.25
10	121222	4	Pin, Cotter .09x.75
11	34506	1	Shaft, Brake
12	34961	1	Lever, Brake Lock
13	413534	1	Nut, Lock 3/8-16
14	20775	1	Washer, Nylon .375x.75x.060
15	180132	1	Bolt, Hex 3/8-16x2.25
16	34960	1	Rod
17	411027	3	Fitting, Lube 1/4-28
18	34517	2	Rod, Brake
19	15255	2	Spring Ext 5.50x.50
20	18380	2	Clevis, 3/8-24 Adjustable
21	124925	2	Nut, Jam 3/8-24
22	177923	2	Pin, Cotter .125x.750
23	138078	2	Pin, Clevis .375x.948
24	23385	2	Drum, 7x1.75
25	180120	8	Bolt, Hex 3/8-16x.75
26		2	Brake, 7x1.75
27	120368	1	Nut, Hex 5/16-24
28	120214	1	Washer, Lock 5/16-24
29	23505	1	Arm, Cam Lever
30	181618	1	Bolt, Hex 5/16-24x1.75
31	23509	2	Spring, Shoe Retaining
32	23507	1	Plate, Back
33	23506	1	Cam, Brake
34	23508	1	Spring, Shoe Return
35	23539	2	Kit, Brake Shoe

NOTE: This page pertains to four-speed tractors only.

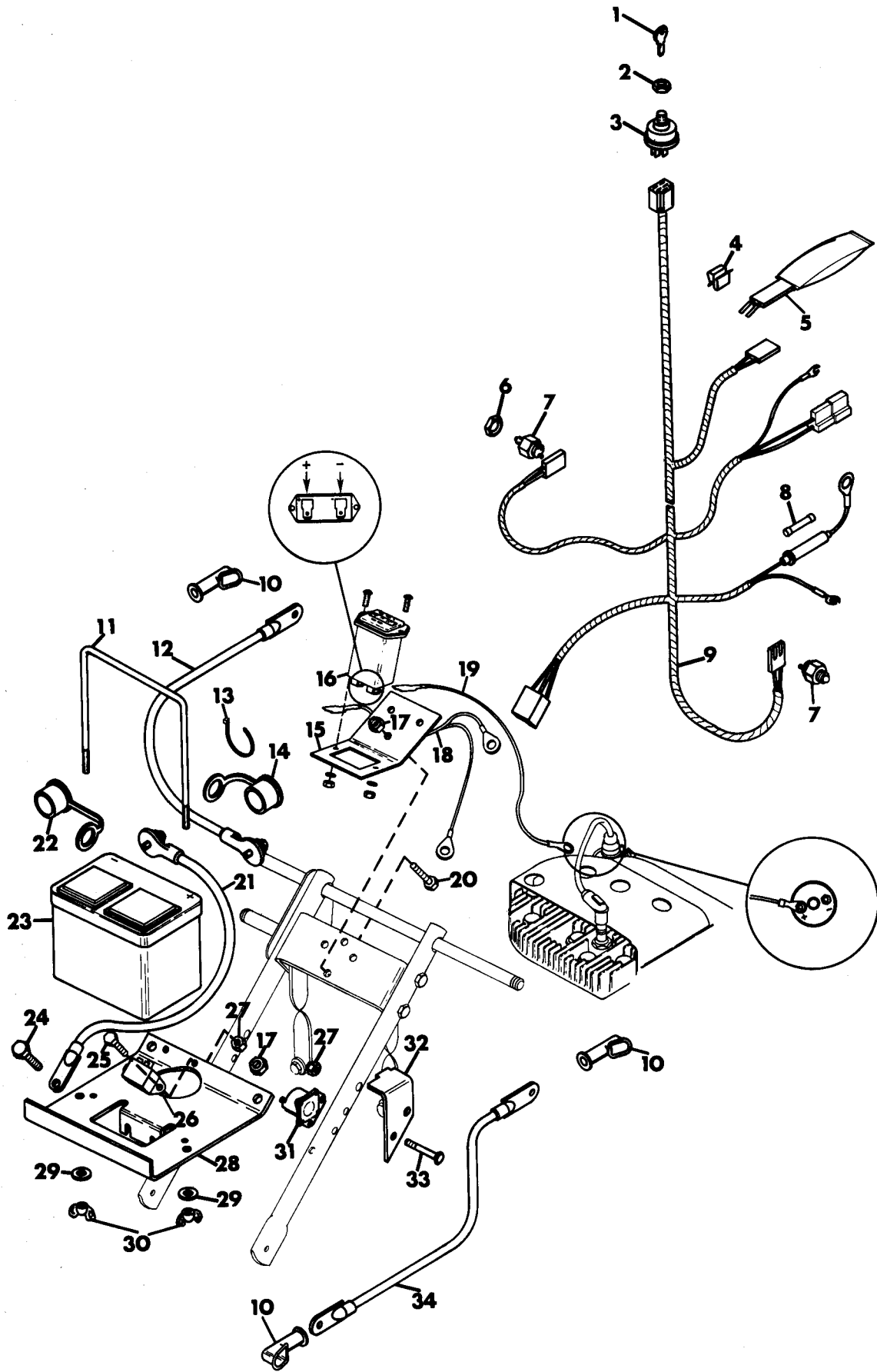
# FUEL AND EXHAUST SYSTEM



## FUEL AND EXHAUST SYSTEM

ITEM NO.	PART NO.	QTY.	DESCRIPTION
1	180081	2	Bolt, Hex 5/16-18x1.25
2	419455	3	Nut, Lock 5/16-18
3	34524	2	Strap, Gas Tank
4	23665	2	Nut, Retainer
5	120393	2	Washer, Flat .343x.688x.065
6	180077	2	Bolt, Hex 5/16-18x.75
7	31884	2	Pad, Gas Tank
8	34555	1	Gauge, Fuel
9	34553	1	Tank, Fuel
10	7354	1	Valve and Strainer
11	32045	2	Clamp, Hose
12	21134	3 ft.	Line, Fuel
13	35313	1	Clamp, Nylon
14	7331	1	Clip, Speed
15	160515	1	Screw, Mach. 1/4-20x.50
16	120375	1	Nut, Hex 1/4-20
17	18522	1	Bracket
18	18521	1	Adaptor, Conduit
19	167257	2	Screw, Tapping 1/4-20x.50
20	34903	1	Lever, Control
21	10696	1	Control, Choke
22	124925	1	Nut, Jam 3/8-24 Hex
23	10629	2	Tie, Cable
24	124546	2	Key, Woodruff 5/32x.625
25	17838	1	Gear, 10/12 DP 21/30 Teeth
26	10732	1	Gasket, Engine to Adaptor
27	10731	1	Adaptor, Engine
28	131100	4	Washer, Lock 7/16
29	180149	2	Bolt, Hex 7/16-14x1.50
30	131099	4	Washer, Lock 3/8
31	180122	6	Bolt, Hex 3/8-16x1.00
32	180147	2	Bolt, Hex 7/16-14x1.25
33	38808	1	Strap
34	10635	1	Gasket, Chassis to Adaptor
35	13457	1	Handle, Adjusting
36	456004	7	Nut, Lock 3/8-16
37	34531	1	Stand, Support
38	34062	1	Stand, Kick
39	10405	1	Pin, Hair
40	180126	4	Bolt, Hex 3/8-16x1.50
41	180128	1	Bolt, Hex 3/8-16x1.75
42	34551	1	Plate, Skid
43	11936	1	Bushing, .407x.625x.812
44	34592	1	Muffler, Kohler 16-HP
45	21819	1	Clamp, Muffler
46	34595	1	Nipple, 1.25 Pipe 7.8 LG.
47	127824	1	Elbow, 1.25 Pipe
48	219696	1	Nipple, 1.25 Pipe
49	34594	1	Nut, Conduit 1.25" Pipe
50	34587	1	Engine, 16-HP Kohler

# ELECTRICAL

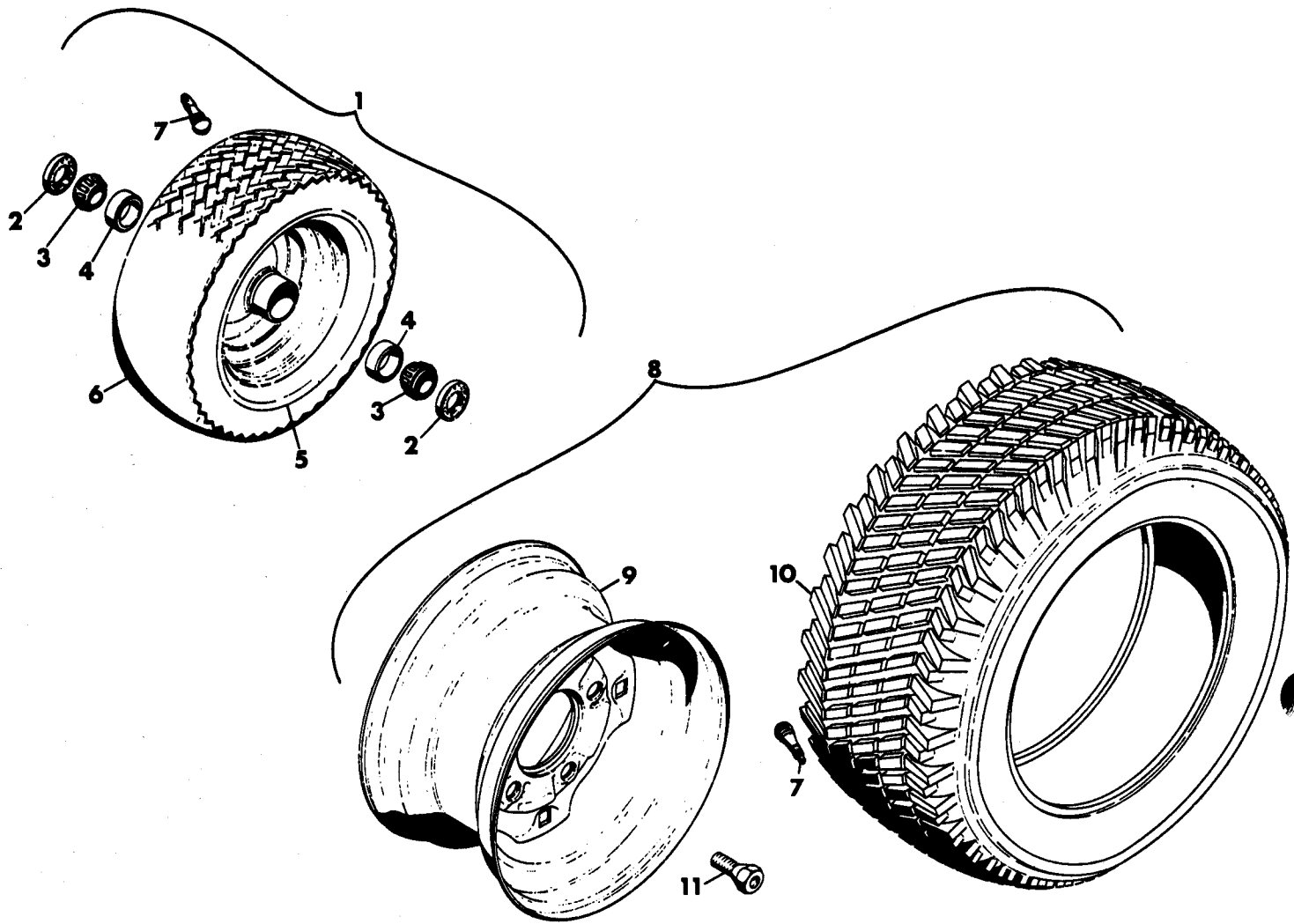


# ELECTRICAL

ITEM NO.	PART NO.	QTY.	DESCRIPTION
1	18570	1	Key, Ignition
2	19666	1	Nut, Jam 9/16-24
3	19223	1	Switch, Ignition
4	11286	2	Clip, Wire
5	35062	1	Switch, Seat
6	107354	1	Nut, Stamped
7	20916	2	Switch, Interlock
8	14893	1	Fuse, 30 Amp
9	38805	1	Harness, Wiring
10	33847	3	Boot, Battery Cable
11	34956	1	Rod, Battery
12	34955	1	Cable, Positive Battery
13	10629	2	Tie, Cable
14	34953	1	Cover, Battery Pos.
15	23342	1	Bracket, Hourmeter
16	38256	1	Hourmeter
17	456004	4	Nut, Lock 3/8-16
18	38813	1	Wire, Ground Pro Master-50
19	35322	1	Wire, Hourmeter
20	180121	3	Bolt, Hex 3/8-16x.875
21	34954	1	Cable, Negative Battery
22	34952	1	Cover, Battery Neg.
23	35072	1	Battery, Delco Maintenance-Free #101 - Replacement Battery #83-50
24	180132	1	Bolt, Hex 3/8-16x2.25
25	180022	2	Bolt, Hex 1/4-20x1.00
26	18009	1	Regulator, Rectifier
27	419454	4	Nut, Lock 1/4-20
28	37704	1	Box, Battery
29	120392	2	Washer, Flat .281x.625x.065
30	10413	2	Nut, Wing 1/4-20
31	7277	1	Switch, Mag
32	34575	1	Bracket, PTO
33	180044	2	Bolt, Hex 1/4-20x2.00
34	34475	1	Cable

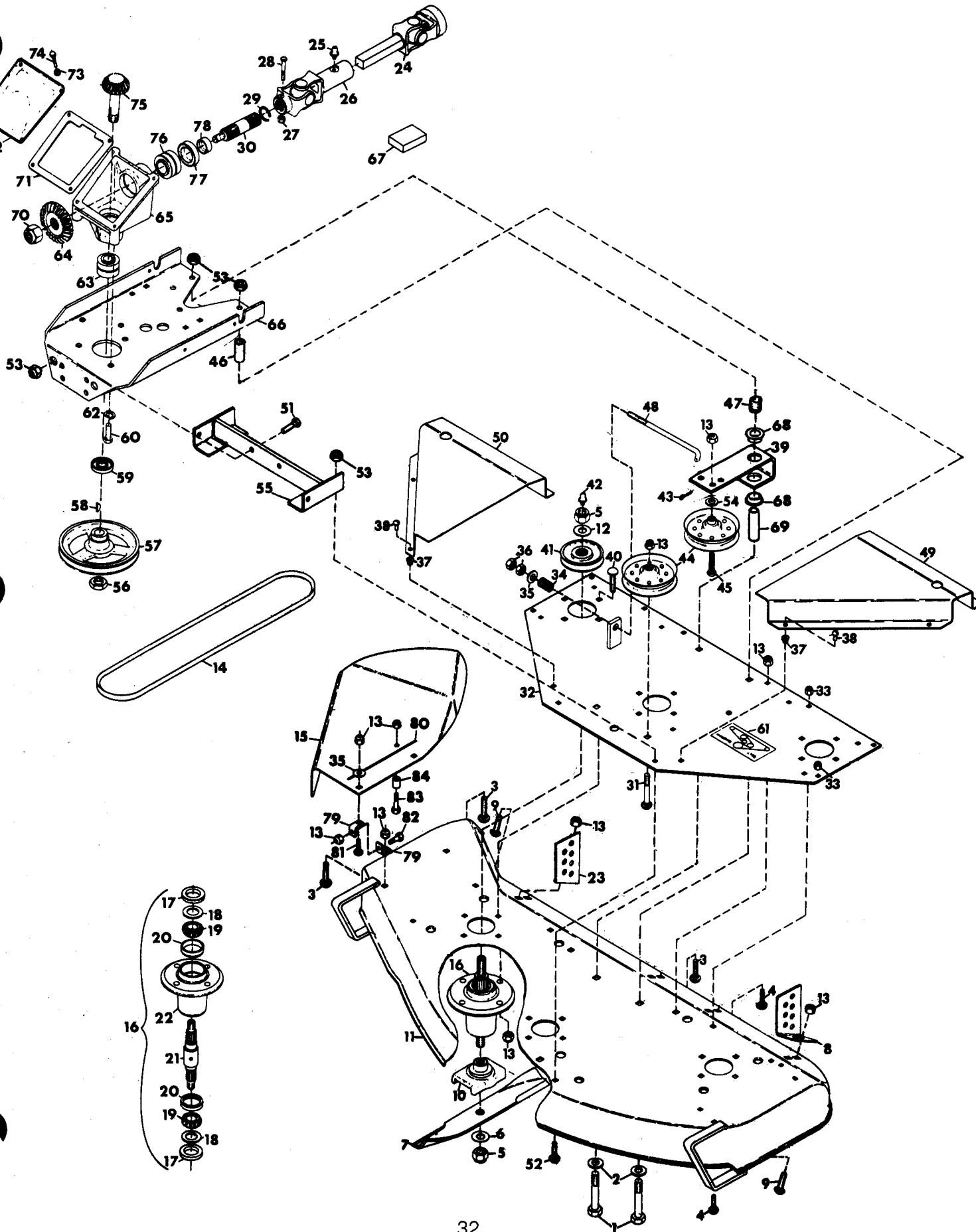


# FRONT AND REAR WHEELS



ITEM NO.	PART NO.	QTY.	DESCRIPTION
1	38118	2	Wheel, Pro Master Rear
2	38920	2	Seal, Wheel
3	38921	2	Bearing, Cone
4	38922	2	Bearing, Cup
5	38918	1	Rim, Rear
6	38917	1	Tire, 16x7.50-8
7	11191	1	Assembly, Valve Stem
8	34957	2	Wheel, Pro Master Front
9	34486	1	Rim, Pro-Master 50
10	34958	1	Tire, 20x10.00-10
11	34597	8	Stud, Wheel

# MOWER



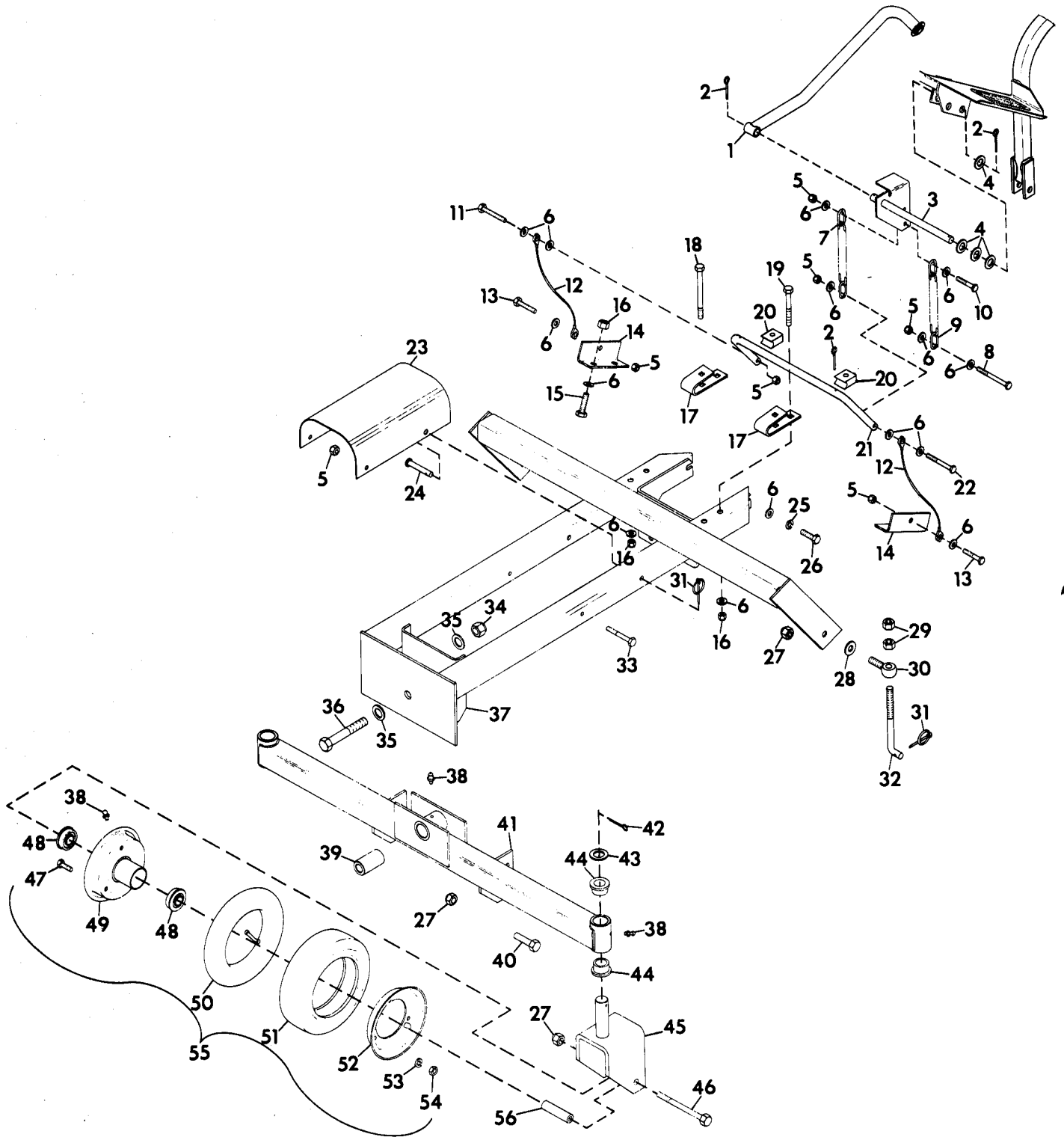
# MOWER

ITEM NO.	PART NO.	QTY.	DESCRIPTION
1	180193	4	Bolt, Hex 1/2-13x3.75
2	120396	4	Washer, Flat .531x1.062x.095
3	126227	4	Bolt, 3/8-16x.75 Rd. Hd. Sq. Nk.
4	126216	6	Bolt, 5/16-18x.75 Rd. Hd. Sq. Nk.
5	418692	6	Nut, Lock 5/8-11
6	131016	3	Washer, Flat .656x1.312x.095
7	11234	3	Blade
8	37810	1	Plate, Rear Adjustment
9	180124	4	Bolt, Hex 3/8-16x1.25
10	23026	3	Cradle, Blade
11	35173	1	Weldment, Pro Master 50 Inch Deck
12	33845	3	Washer, Flat .687x1.312x.122/.146
13	456004	26	Nut, Lock 3/8-16
14	11216	1	Belt, V .500x.312x126.3
15	38675	1	Shield, Safety Extension 50 Inch Mower
16	21306	3	Assembly, Spindle
17	21211	2	Seal, Steel
18	20743	2	Washer, Flat .975x1.970x.030
19	38199	2	Assembly, Bearing
20	14641	1	Spacer
21	21216	1	Shaft, Spindle
22	21215	1	Housing, Bearing
23	37809	1	Plate, Rear Adjustment
24	19074	1	Shaft, Prop. Sq. Bar
25	411027	1	Fitting, Lube 1/4-28
26	13518	1	U-Joint, Female End
27	419454	1	Nut, Lock 1/4-20
28	180044	1	Bolt, Hex 1/4-20x2
29	14642	1	Ring, Retaining 1.000 Shaft
30	31412	1	Shaft, Drive
31	126416	1	Bolt, 3/8-16x1.75 Rd. Hd. Sq. Nk.
32	35179	1	Weldment, Deck Support Plate
33	419455	6	Nut, Lock 5/16-18
34	11779	1	Spring, Comp. Type 1x.78x338 1b/in
35	120394	3	Washer, Flat .406x.812x.065
36	120369	2	Nut, Hex 3/8-24
37	11777	8	Grommet, Plastic
38	167257	8	Screw, Tapping 1/4-20x.5
39	34120	1	Arm, Idler Pivot
40	126402	12	Bolt, 3/8-16x1.25 Rd. Hd. Sq. Nk.
41	20065	3	Sheave, Spindle
42	411010	2	Fitting, Lube 1/8 (Left and Right Spindle)
	21214	1	Fitting, Lube .125 Ext. (Center Spindle)
43	121224	1	Pin, Cotter 3/32x1.00
44	21060	2	Sheave, Idler
45	180130	1	Bolt, Hex 3/8-16x2
46	19348	3	Spacer, .510x.840x2.43
47	20444	1	Spring, Comp.
48	21111	1	Rod, Idler
49	21259	1	Cover, Pulley L.H.
50	21260	1	Cover, Pulley R.H.

# MOWER

ITEM NO.	PART NO.	QTY.	DESCRIPTION
51	180176	2	Bolt, Hex 1/2-13x1.375
52	180175	2	Bolt, Hex 1/2-13x1.25
53	435507	8	Nut, Lock 1/2-13
54	14672	1	Spacer, Idler .406x.750x.188
55	35001	1	Bracket, Height Adjustment
56	451539	1	Nut, Jam 3/4-10 Hex Heavy
57	14660	1	Sheave, 1/2x6.50
58	431787	1	Key, Woodruff .188x.625 Hard
59	14645	1	Seal, Oil 1.250x1.686x.313
60	180173	3	Bolt, Hex 1/2-13x1.00
61	11715	1	Decal, Belt Installation
62	120384	3	Washer, Lock 1/2
63	14644	1	Assembly, Bearing .750x1.781x1.499
64	19607	1	Gear, Bevel
65	14636	1	Casting, Gear Box
66	34924	1	Support, Gear Housing
67	12134	1	Kit, Repair Universal Joint Rockwell Std.
	24560	1	Kit, Repair Universal Joint Neapco 1605X
68	10174	2	Bushing, Nylon .760x1.00x.600
69	34119	1	Spacer
70	456007	1	Nut, Lock 3/4-10
71	11231	1	Gasket, Gear Housing
72	10982	1	Cover, Gear Housing
73	120380	4	Washer, Lock 1/4
74	180016	4	Bolt, Hex 1/4-20x.50
75	19608	1	Shaft, Gear Pinion
76	14640	1	Assembly, Bearing 1.000x1.980x 1.243
77	14646	1	Seal, Oil 1.250x1.987x.250
78	120388	1	Washer, Flat .438x1.000x.083
79	34894	4	Tab, Spring
80	38769	1	Stripe
81	120915	2	Bolt, 3/8-16x1.00 Rd Hd Sq Nk
82	180121	2	Bolt, Hex 3/8-16x.875
83	180126	1	Bolt, Hex 3/8-16x1.50
84	38696	1	Stop, Chute
NS	31410	1	Asm, Drive 50" Mower
NS	33926	1	Decal, Danger Hand
NS	33927	1	Decal, Danger Foot
NS	33928	1	Decal, Warning Eye
NS	37815	1	Decal, Pro Master-50 Mower

# MOWER FRAME



## MOWER FRAME

ITEM NO.	PART NO.	QTY.	DESCRIPTION
1	37045	1	Weldment, Lift Lever
2	120123	4	Pin, Cotter .12x1.25
3	37042	1	Weldment, Lift Bracket
4	421879	9	Washer, Flat .656x1.250x.100
5	419455	8	Nut, Lock 5/16-18
6	120394	21	Washer, Flat .406x.812x.065
7	37041	1	Chain, Lift (8 links)
8	180735	1	Bolt, Hex 5/16-18x3.25
9	37908	1	Chain, Lift (7 links)
10	180081	1	Bolt, Hex 5/16-18x1.25
11	180085	1	Bolt, Hex 5/16-18x1.75
12	34480	2	Cable, Lift
13	180079	2	Bolt, Hex 5/16-18x1.00
14	37039	2	Bracket, Lift
15	180122	4	Bolt, Hex 3/8-16x1.00
16	456004	8	Nut, Lock 3/8-16
17	11264	2	Bracket, Axle Support
18	191163	2	Bolt, Hex 3/8-16x4.00
19	180138	2	Bolt, Hex 3/8-16x3.00
20	11260	2	Stop, Nylon
21	37040	1	Arm, Pivot
22	180087	1	Bolt, Hex 5/16-18x2.00
23	35012	1	Guard, PTO Shaft
24	22113	2	Pin, Clevis
25	120382	2	Washer, Lock 3/8
26	180125	2	Bolt, Hex 3/8-16x1.38
27	435507	6	Nut, Lock 1/2-13
28	120389	2	Washer, Flat .500x1.250x.083
29	120238	4	Nut, Jam 1/2-13 Hex
30	35165	2	Bolt, Eye
31	23468	4	Pin, Klik
32	31921	2	Rod, Height Adjustment
33	180091	2	Bolt, Hex 5/16-18x2.50
34	456007	1	Nut, Lock 3/4-10
35	35640	2	Washer, Flat .812x1.469x.130
36	271781	1	Bolt, Hex 3/4-10x4.50
37	34913	1	Weldment, Mower Frame
38	411027	4	Fitting, Lube 1/4-28
39	34920	1	Tube, Pivot
40	180176	2	Bolt, Hex 1/2-13x1.375
41	37808	1	Axle
42	137253	2	Pin, Cotter .187x1.625
43	19340	2	Race, Bearing Thrust
44	18355	4	Bushing, Pivot
45	37811	2	Weldment, Caster Fork
46	433163	2	Bolt, Hex 1/2-13x5.00
47	181635	3	Bolt, Hex 3/8-24x.75
48	37823	2	Bearing, Gauge Wheel
49	37825	1	Wheel, Half with Tube
50	37826	1	Tube, Inner
51	37827	1	Tire, Gauge Wheel
52	37824	1	Wheel, Half Plain
53	131099	3	Washer, Lock 3/8 SP Heavy
54	120369	3	Nut, Hex 3/8-24
55	37797	2	Wheel, Gauge
56	11950	2	Bushing, Wheel